



## ADJUSTABLE BARREL BASE

The PRO-Series Adjustable Barrel Mount Base is designed to install over existing vertical structure such as shoring walls, tank edges, parapets, or similar applications

### APPLICATION RESTRICTIONS

Structures selected for the installation of this sleeve must be capable of supporting a minimum 10,000 N.m moment and 22.2kN vertical load

|        |               |
|--------|---------------|
| Weight | 44 Kg (97lbs) |
|--------|---------------|

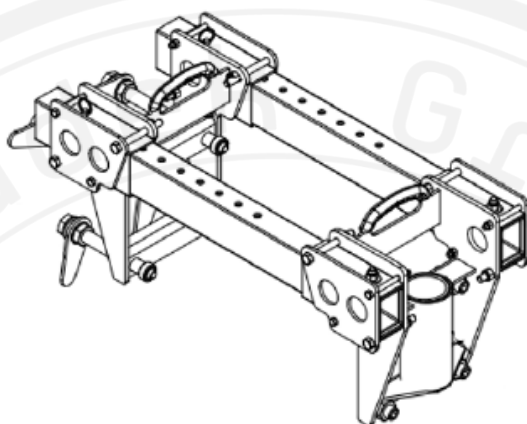
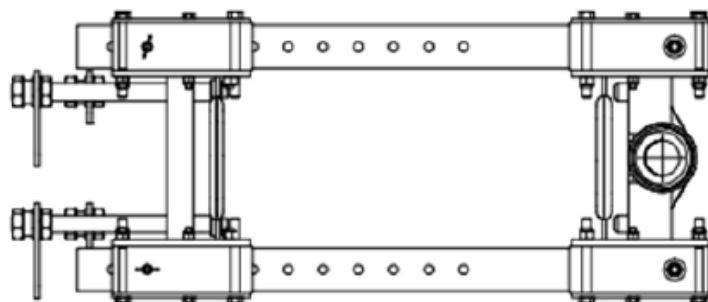
### Materials

|                      |  |
|----------------------|--|
| General construction | Zinc Plated Steel<br>Extruded Aluminum |
|----------------------|--|

### GENERAL SPECIFICATIONS

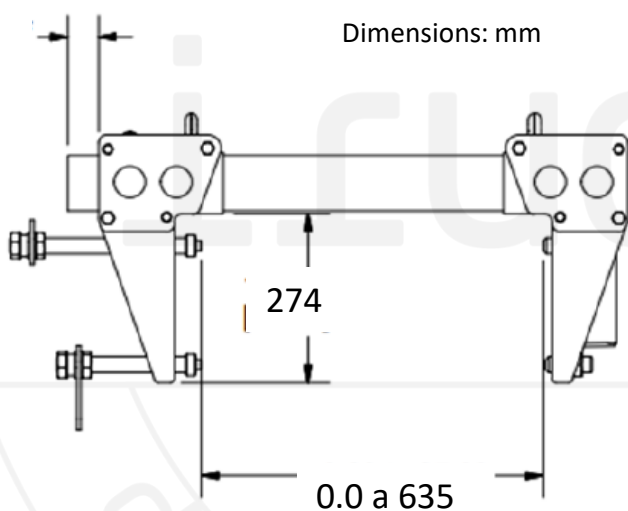
#### CAPACITY

This Base is designed to support the rated working load of all standard IRUDEK Davits when installed as per manufacturer's instructions



Dimensions: mm

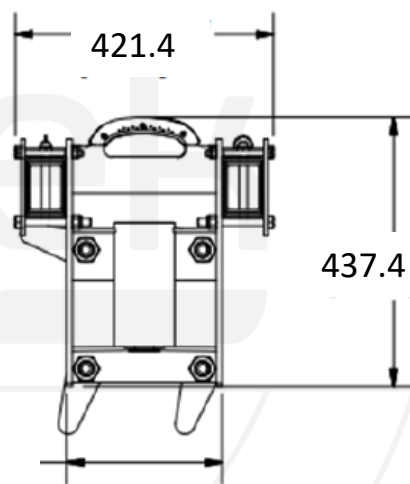
50.4



274

0.0 a 635

421.4



437.4

254.3