

CORNER MOUNT BASE (100205900040)

Corner Mount Base is designed to weld or bolt to a wide variety of vertical structures, columns, tanks, and concrete surfaces

Installer must confirm product compatibility and equivalence of mounting requirements.

APPLICATION RESTRICTIONS

Structures selected for the installation of this sleeve must be capable of supporting a minimum 10,000N.m moment and 22.2 kN vertical load

The screws used to mount this base must be the model "HIS-N threaded sleeve with threaded sleeve" of the HILTI brand, M12X125mm.

Weight	12 Kg (26.5lbs)
--------	------------------

Materials

Structure	Steel
-----------	-------

GENERAL SPECIFICATIONS

CAPACITY:

This base is designed to support the rated working load of all standard IRUDEK davits when installed as per manufacturer's instructions.

CORNER MOUNT BASE

1. This product **MUST BE** used only with accessories designed, manufactured, and/or approved by the manufacturer

2. All system components **MUST BE** installed, inspected, maintained, and used in accordance with the manufacturer's instructions.

3. Structures selected for the installation of this sleeve **MUST BE** capable of supporting a minimum 90,000 in-lb (10,000N.m) moment and 5000 lb (22.2 kN) vertical load, or **MUST BE** approved by a Qualified Person so as to maintain an appropriate safety factor for the given application(s) as specified in applicable regulations.

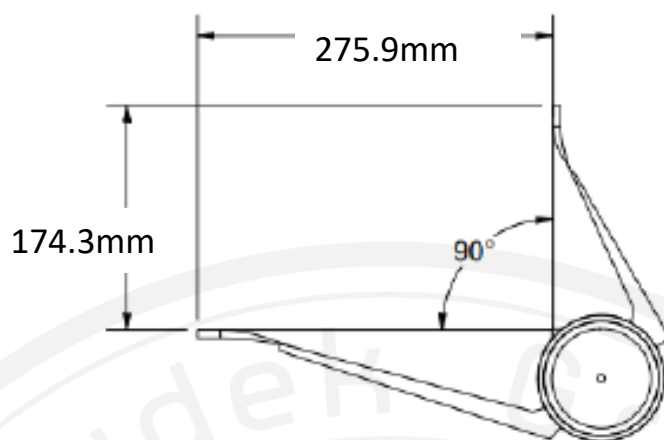
4. Fasteners used to mount this sleeve **MUST** provide an ultimate pull-out strength of at least 11,000 lbs (48.9kN) per fastener, or **MUST BE** selected and installed under the supervision of a Qualified Person so as to maintain an appropriate safety factor for the given application(s) as specified in applicable regulations.

5. Where required by regulation, each installation **MUST BE** installed under the supervision of a Qualified Person.

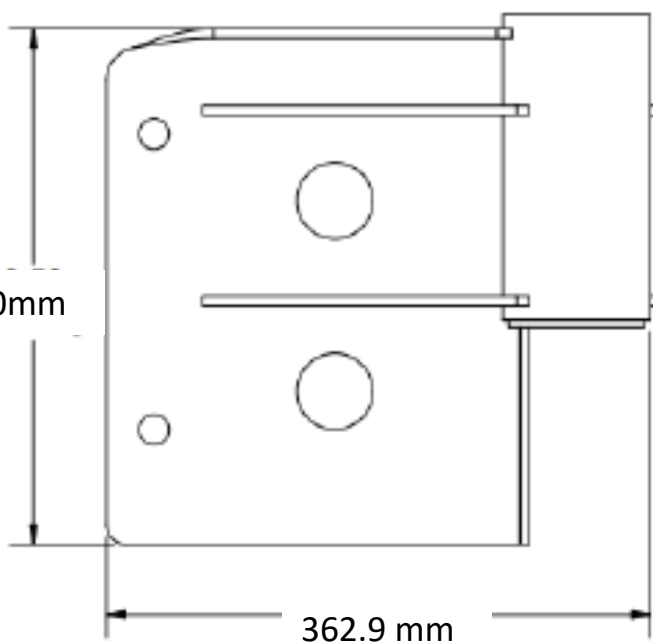
6. This equipment **MUST BE** set up and operated under the supervision of a Competent Person.

DATA SHEET

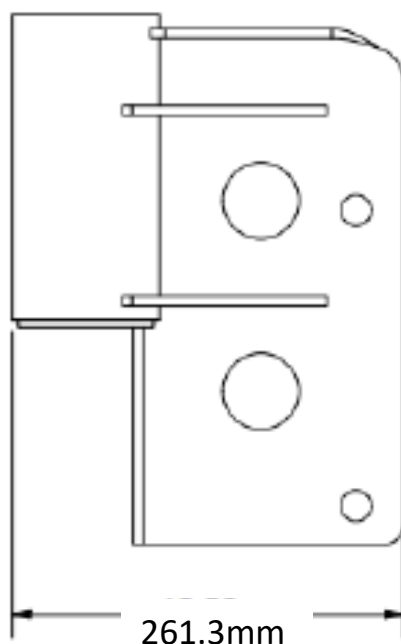
DIMENSIONS: mm



343.0mm



362.9 mm



261.3mm