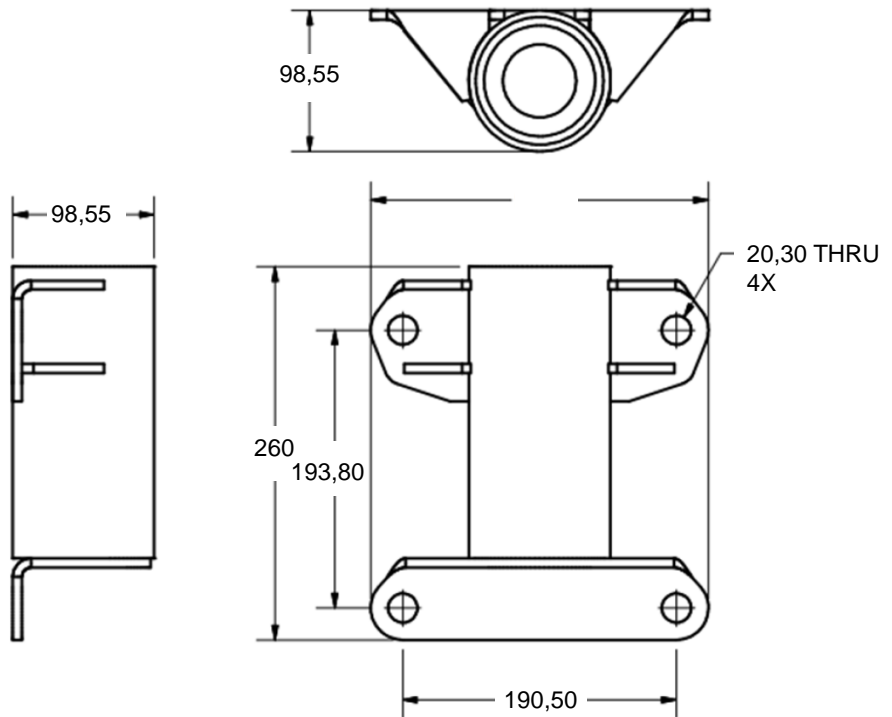


# TECHNICAL DATA SHEET



Dimensions en mm

## 4-Point Wall Mount Base

The 4-point permanent wall mount base is designed to be welded or bolted to a wide variety of vertical structures, including beams, columns, tanks, walkways and concrete surfaces.

### APPLICATION RESTRICTIONS

This base is designed to support the rated working load of all standard Irudek DAVITs installed in accordance with the manufacturer's instructions.

Weight	4,8 Kg
Material	Steel

Minimum resistance	
Estructure	
Moment	10 kN.m
Vertical load	22,2 kN
Anchor	
Pull-out strength	48,9 kN